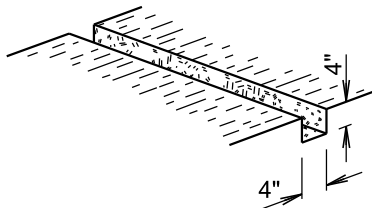
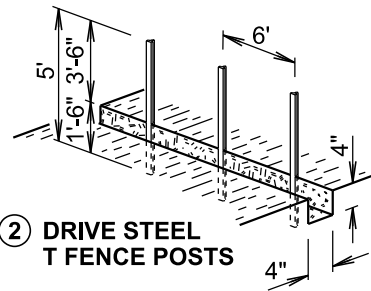


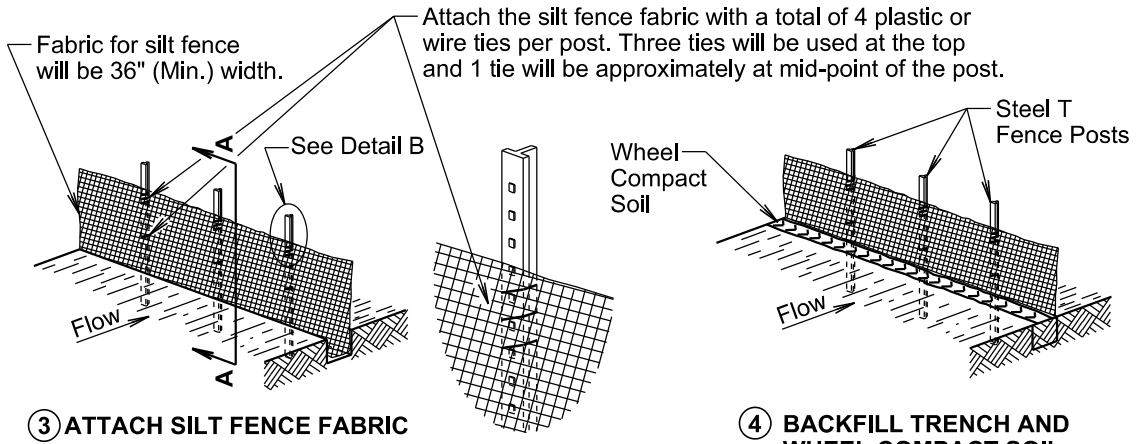
MANUAL HIGH FLOW SILT FENCE INSTALLATION



① EXCAVATE TRENCH



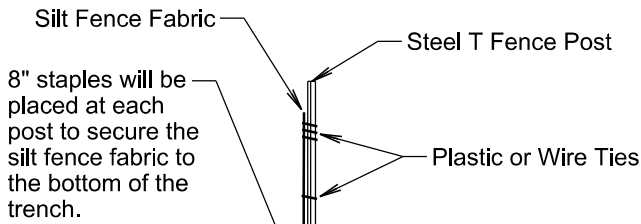
② DRIVE STEEL T FENCE POSTS



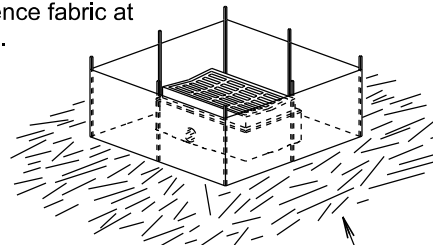
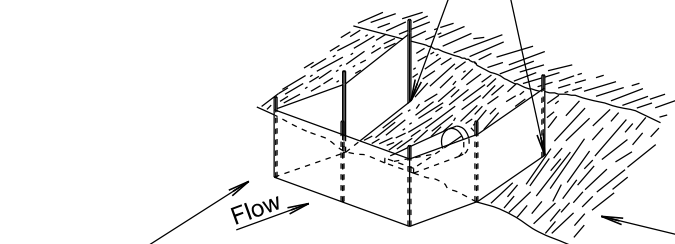
③ ATTACH SILT FENCE FABRIC

④ BACKFILL TRENCH AND WHEEL COMPACT SOIL

DETAIL B



SECTION A-A



The silt fence length and width may be adjusted due to a larger pipe, multiple pipe, or other circumstances during construction as determined by the Engineer.

Post spacing will be 3' for these types of applications of silt fence. All other components of the silt fence will be the same as shown above.

February 14, 2020

Published Date: 4th Qtr. 2022

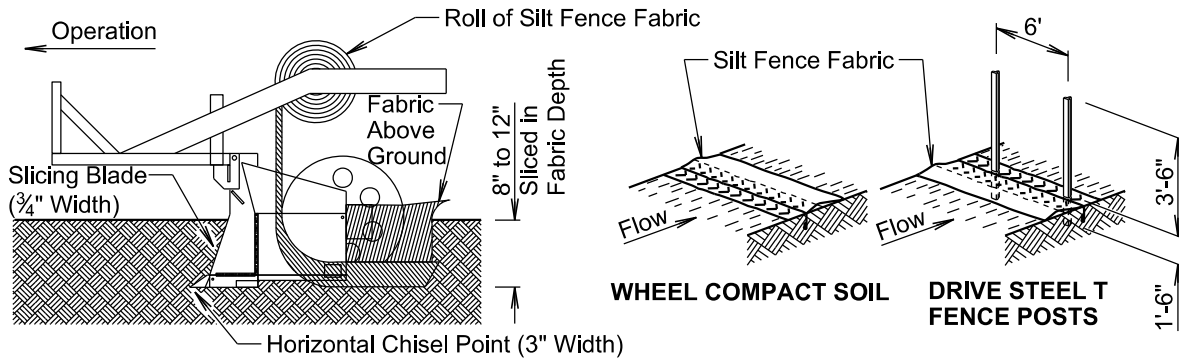
**S
D
D
O
T**

HIGH FLOW SILT FENCE

PLATE NUMBER
734.05

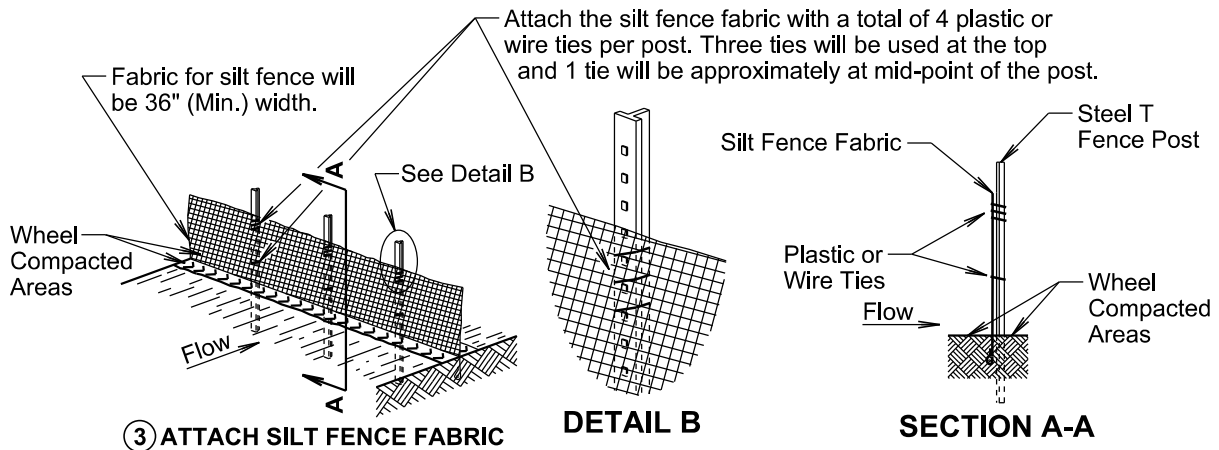
Sheet 1 of 2

MACHINE SLICED HIGH FLOW SILT FENCE INSTALLATION

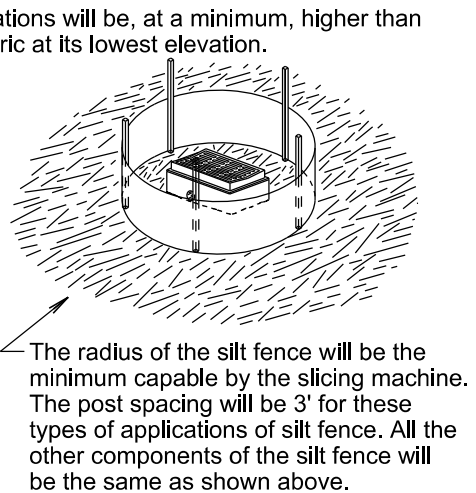
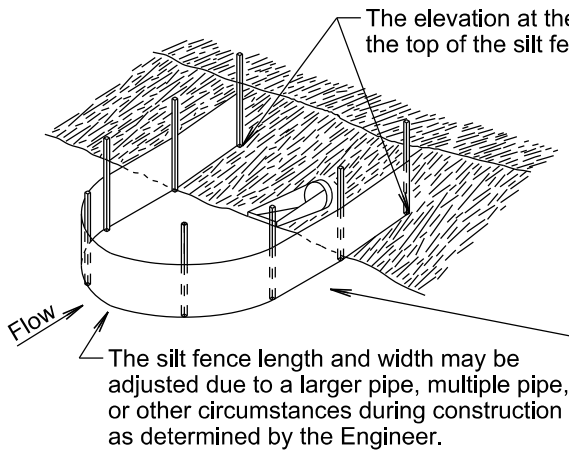


① **INSTALL SILT FENCE FABRIC BY MACHINE SLICING METHOD.**

② **WHEEL COMPACT SOIL ABOVE SLICED IN PORTION OF FABRIC AND THEN DRIVE STEEL T FENCE POSTS.**



③ **ATTACH SILT FENCE FABRIC**



GENERAL NOTE:

If a trench can not be dug or the silt fence fabric can not be sliced in due to the type of earthen material (such as rock), then a row of 30 to 40 pound sandbags butted end to end will be provided on top of the extra length of silt fence fabric to prevent underflow.

February 14, 2020

Published Date: 4th Qtr. 2022

**S
D
D
O
T**

HIGH FLOW SILT FENCE

PLATE NUMBER
734.05

Sheet 2 of 2